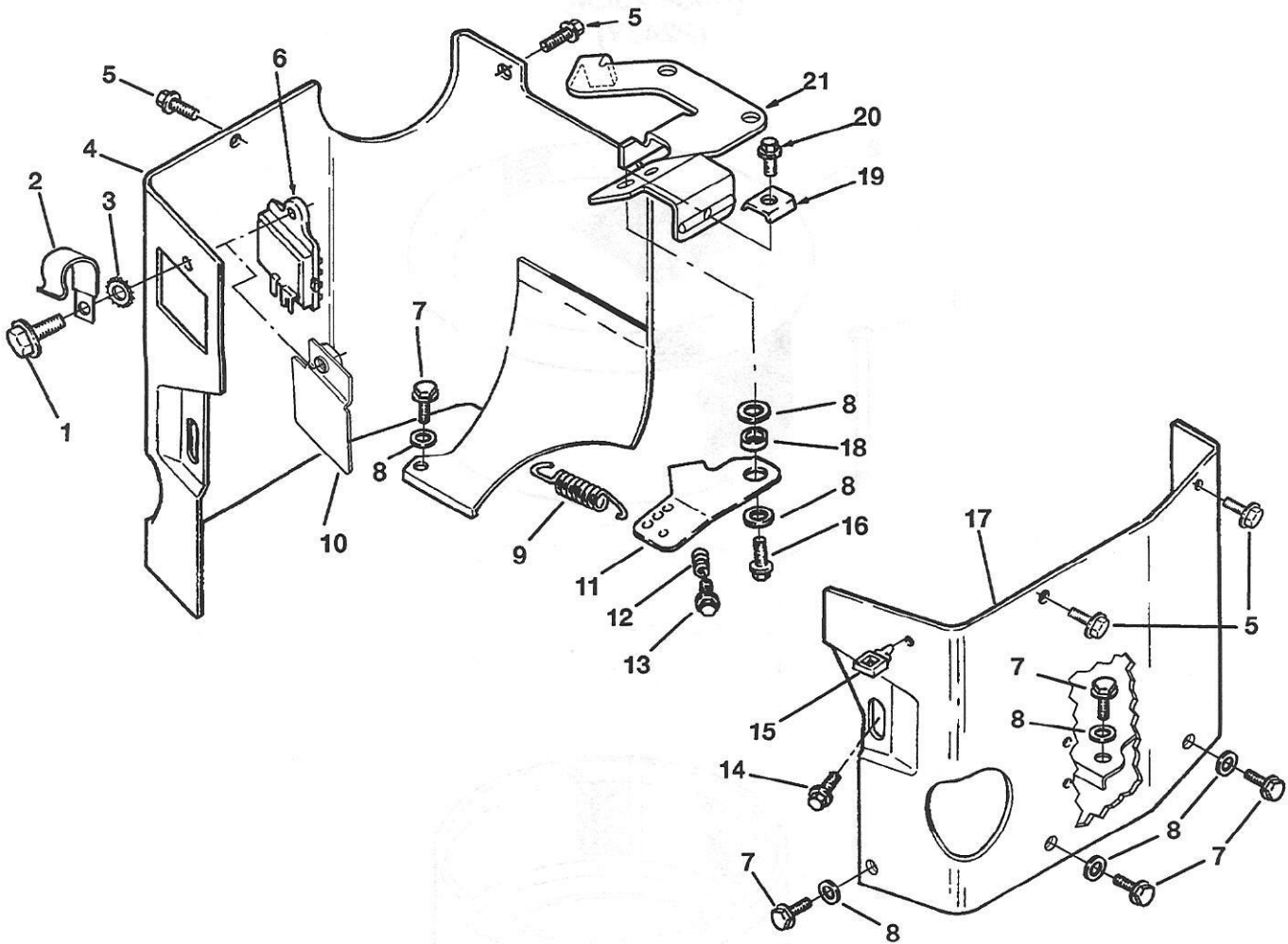
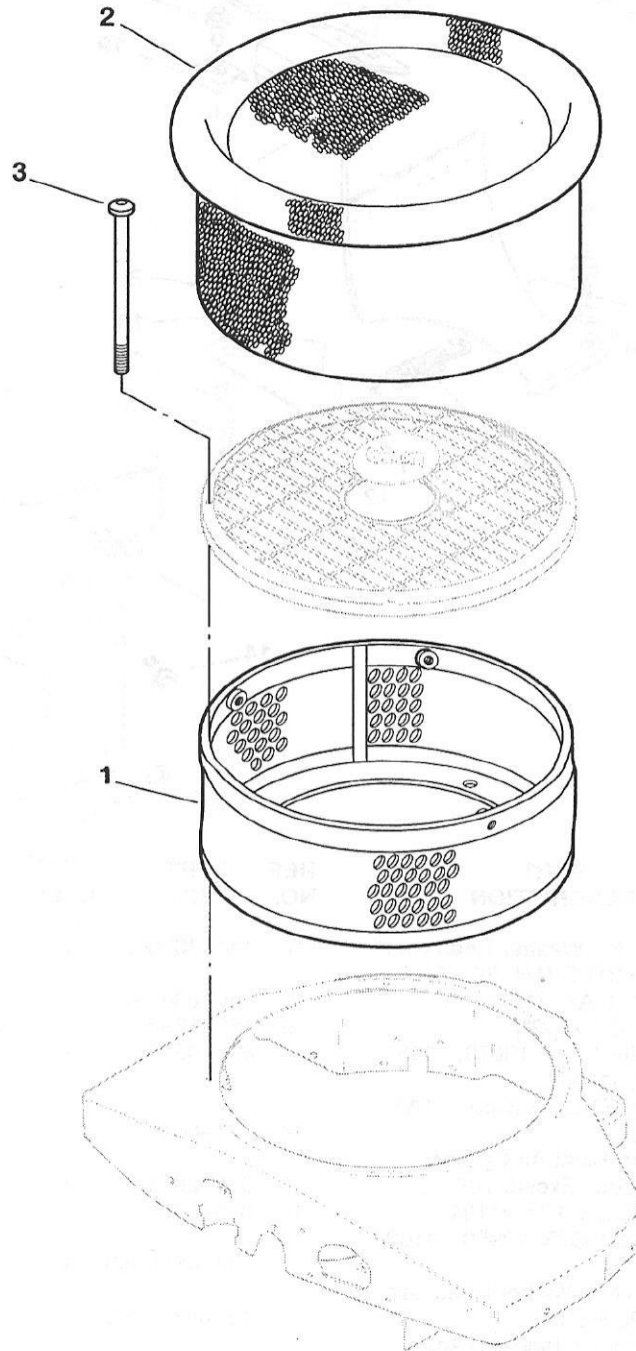


## Air Cylinder Housing



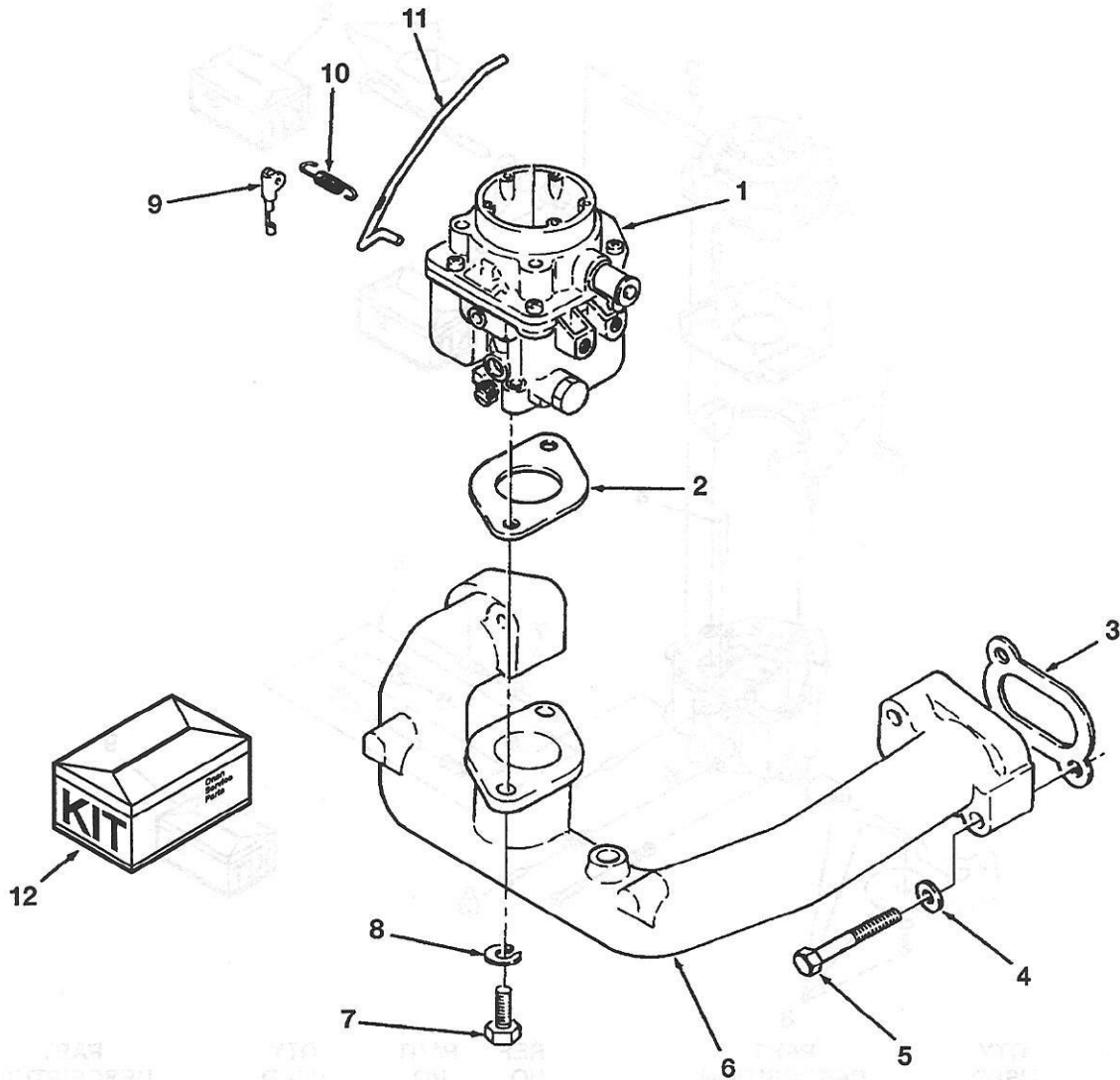
REF NO.	PART NO.	QTY USED	PART DESCRIPTION	REF NO.	PART NO.	QTY USED	PART DESCRIPTION
1	821-0008	1	Screw, Hex Washer Head Cap Code 31BD (1/4-20 x 5/16")	10	134-3626-50	1	Cover, Voltage Regulator Code 31BD
	821-0010	1	Code 31AZ, 31BN (1/4-20 x 1/2")	11	150-2344-02	1	Arm, Governor Control
2	518-0515	1	Clip, Wire (Spec 10873, 10959, 11103, 11104)	12	150-1398	1	Spring, Governor Idle
3	853-0013	1	Washer, ET Lock (Code 31AZ, 31BN)	13	815-0510	1	Screw, Slotted Hex Head Thread Forming with Nylon Patch (#6-32 x 7/8")
4	134-4796-50	1	Housing, Right Air Cylinder All Specs Except 10873, 10959, 11103, 11104	14	821-0016	2	Screw, Hex Washer Head Cap (5/16-18 x 3/4")
	134-4798-50	1	Specs 10873, 10959, 11103, 11104	15	332-2904	1	Clip, Spark Plug Cable Wire
5	821-0008	4	Screw, Hex Washer Head Cap (1/4-20 x 5/16")	16	815-0436	2	Screw, Hex Cap (1/4-20 x 1/2")
6	191-1748	1	Regulator, Voltage (20 Amp) Code 31AZ, 31BN	17	134-4615-50	1	Housing, Left Air Cylinder All Specs Except 10873, 10959, 11103, 11104
7	815-0290	4	Screw, Hex Washer Head Thread Forming (1/4-20 x 5/8")		134-4610-50	1	Specs 10873, 10959, 11103, 11104
8	526-0021	7	Washer, Flat (1/4")	18	150-1269	1	Bushing, Governor Control
9	150-2350	1	Spring, Governor Return	19	153-0514	1	Clamp
				20	815-0359	1	Screw, Hex Washer Head Thread Forming (#10-32 x 7/8")
				21	150-2345-02	1	Bracket, Governor Mounting

**Precleaner Support  
(Code 23EM)  
(P248V)**



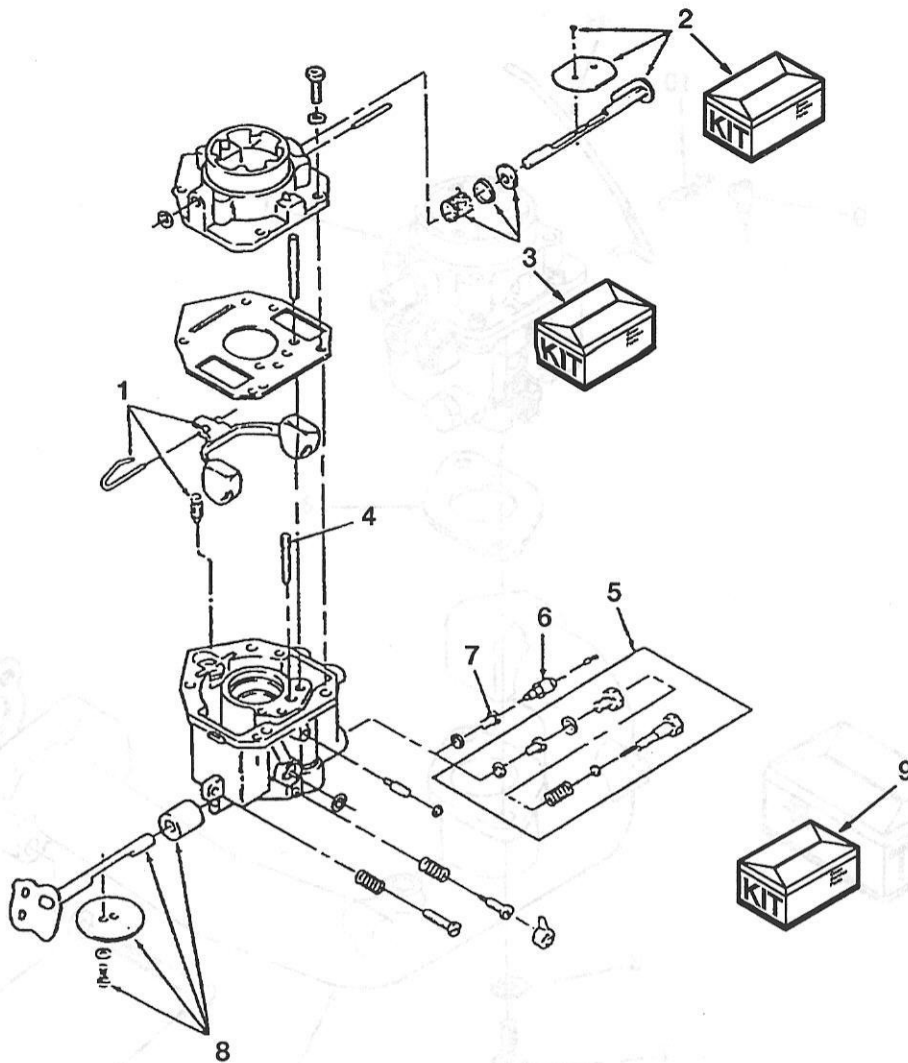
REF NO.	PART NO.	QTY USED	PART DESCRIPTION
1	140-3022-02	1	Support, Precleaner
2	140-3023	1	Filter, Precleaner
3	815-0808-01	4	Screw, Torx

## Intake Manifold Gasoline



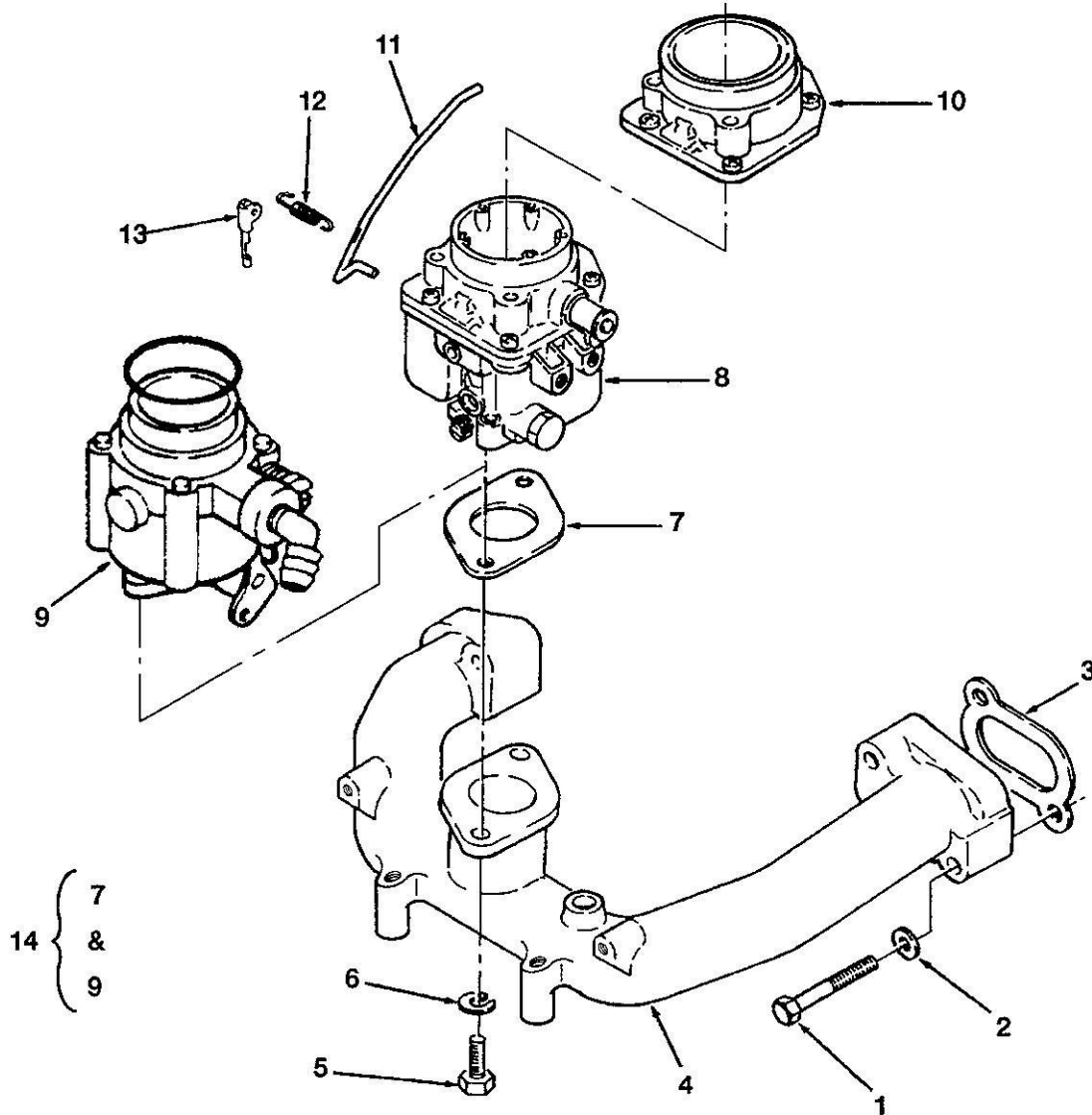
REF NO.	PART NO.	QTY USED	PART DESCRIPTION	REF NO.	PART NO.	QTY USED	PART DESCRIPTION
1			Carburetor (Includes Mounting Gasket, Elbow and O'Ring)	8	850-0045	2	Washer, Lock Spring (5/16")
	146-0495	1	P216V, P218V (See Separate Page for Components)	9	518-0006	1	Clip, Control Rod
	146-0496	1	P220V, P248V	10	150-2332	1	Spring, Governor Rod
	146-0661	1	Spec A-F (See Separate Page for Components)	11	150-2219-01	1	Rod, Governor Control
2	146-0511	1	Gasket, Carburetor Mounting	12			Kit (Following Kits Sold Separately)
3	154-2495	2	Gasket	146-0696	1	Altitude Jet (To Be Used Only OUTSIDE State of California) (Begin Spec G)	
4	740-1006	4	Washer, Flat (M8)	146-0657	1	Repair (Float and Gaskets) (Begin Spec G)	
5	800-0033	4	Screw, Hex Head Cap (5/16-18 x 2")	146-0658	1	Repair (Accelerator Pump) (Begin Spec G)	
6	154-2808-01	1	Manifold, Intake	146-0502	1	Solenoid, Fuel Shutoff (Begin Spec G)	
7	800-0027	2	Screw, Hex Head Cap (5/16-18 x 7/8")				

## Carburetor Components (Spec A-F)



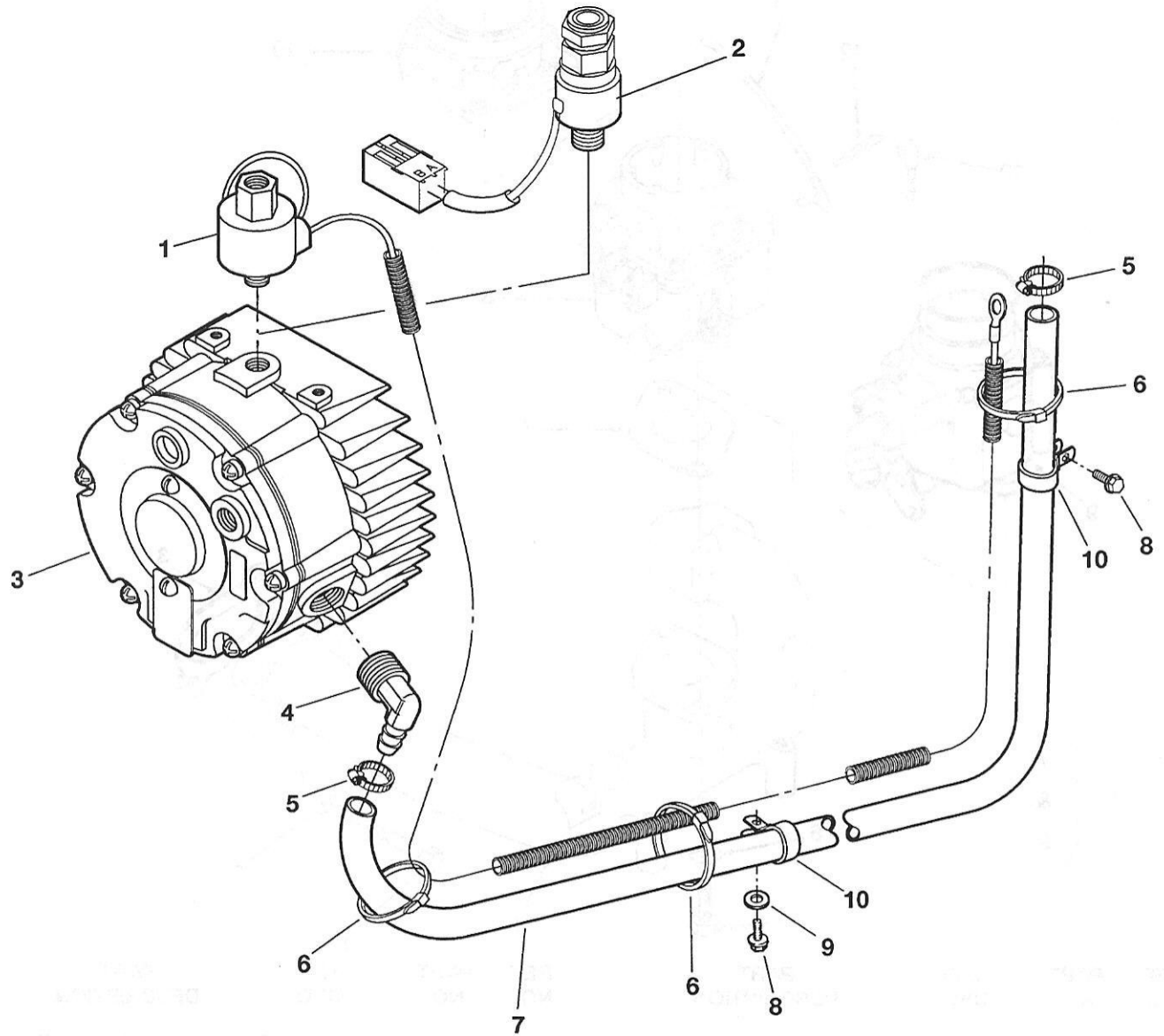
REF NO.	PART NO.	QTY USED	PART DESCRIPTION	REF NO.	PART NO.	QTY USED	PART DESCRIPTION
			Carburetor, (Includes Mounting Gasket)	5			Jet, Fixed Power – Optional (High Altitude Application)
	146-0495	1	P216V, P218V		146-0458	1	P216V, P218V
	146-0496	1	P220V		146-0347	1	P220V
1	146-0437	1	Kit, Float (Includes Float, Pin and Valve)	6	146-0502	1	Solenoid, Fuel Cutoff Jet, Power
2	146-0433	1	Kit, Choke Shaft (Includes Choke Valve, Valve Set Screw and Air Filter)	7			146-0396 1 P216V, P218V
3			Kit, Choke Lever (Includes Choke Lever Ring, Choke Spring and Choke Collar)		146-0391	1	P220V
	146-0434	1	P216V, P218V	8	146-0503	1	Kit, Throttle Shaft (Includes Valve Set Screw, Air Filter and Throttle Valve)
	146-0435	1	P220V	9	146-0500	1	Kit, Repair (Includes Screw and Plug Package, Gasket Package, Float Valve, Idle Adjust Needle and Spring, Mounting Gaskets, Idle Limit Cap)
4			Jet, Idle				
	146-0425	1	P216V, P218V				
	146-0420	1	P220V				

## Intake Manifold LPG



REF NO.	PART NO.	QTY USED	PART DESCRIPTION	REF NO.	PART NO.	QTY USED	PART DESCRIPTION
1	800-0033	4	Screw, Hex Head Cap (5/16-18 x 2")	9	146-0680	1	#Carburetor, Emissions (Begin Spec G)
2	740-1006	4	Washer, Flat (M8)	10	148-0918-01	1	Adapter, LPG
3	154-2495	2	Gasket, Intake Manifold	11	150-2219-01	1	Rod, Governor Control
4	154-2808-01	1	P216V, P218V, P220V	12	150-2332	1	Spring, Governor Rod
	154-2808-02	1	P248V	13	518-0006	1	Clip, Control Rod
5	800-0027	2	Screw, Hex Head Cap (5/16-18 x 7/8")	14	146-0752	1	Kit, Carburetor (Includes Parts Marked #)
6	850-0045	2	Washer, Spring Lock (5/16")		517-0339	1	#Plug, Expansion
7	146-0511	1	P216V, P218V, P220V				
	141-0281	1	# P248V				
8	146-0495	1	Carburetor Standard (See Separate Page for Components) (Spec A-F)				

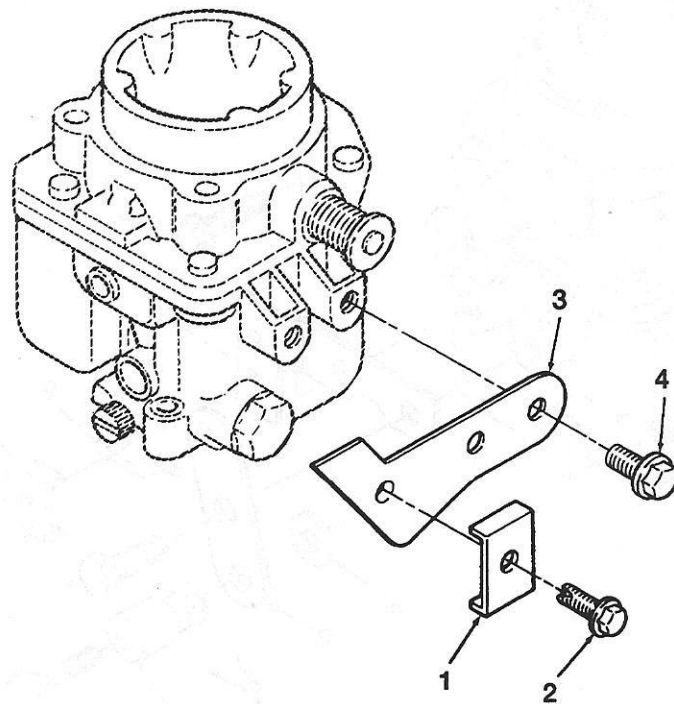
#- Parts Included in Carburetor Kit.



REF NO.	PART NO.	QTY USED	PART DESCRIPTION
1	307-2872	1	Valve, Fuel Shutoff (All Specs Except 11610)
2	148-1074	1	Solenoid, Fuel (Spec 11610)
3	148-1025	1	Regulator
4	502-1145	1	Elbow, 90° Brass
5	503-0446	2	Clamp, Hose

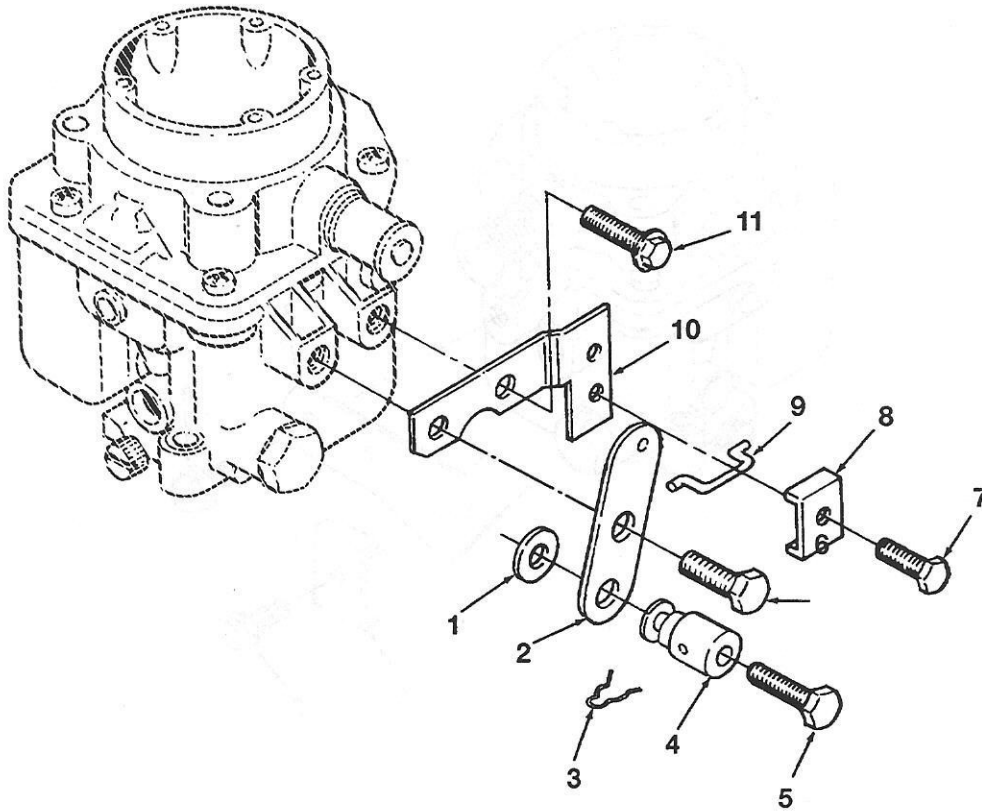
REF NO.	PART NO.	QTY USED	PART DESCRIPTION
6	332-1567	AR	Tie, Cable
7	503-1798-02	1	Hose, LP
8	821-0010	2	Screw, Lock Head
9	526-0021	1	Washer, Flat
10	332-1553	2	Clamp, Loop (3/4")

## Choke Linkage (Front Pull)



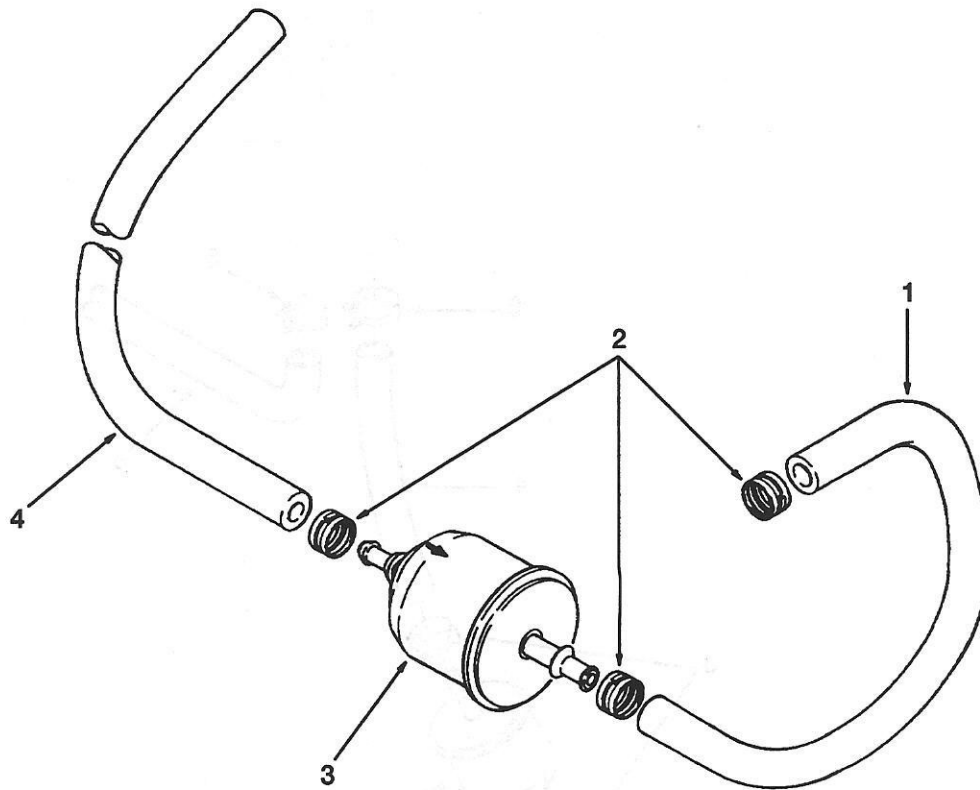
REF NO.	PART NO.	QTY USED	PART DESCRIPTION	REF NO.	PART NO.	QTY USED	PART DESCRIPTION
1	153-0514	1	Clamp, Choke Cable	3	153-0686-02	1	Bracket, Choke Cable
2	815-0359	1	Screw, Hex Washer Head Thread Forming (#10-32 x 7/8")	4	821-0004	2	Screw, Hex Washer Head (#10-32 x 5/16")

## Choke Linkage (Rear Pull)



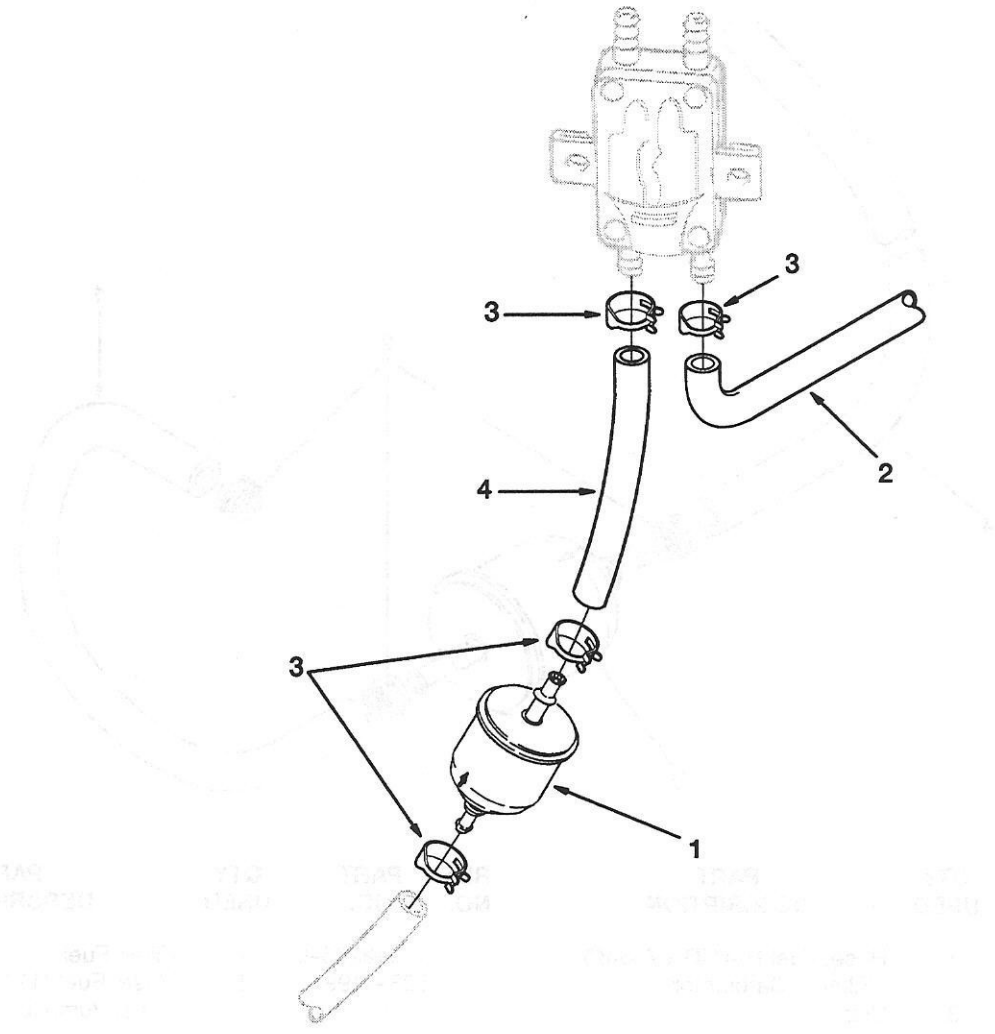
REF NO.	PART NO.	QTY USED	PART DESCRIPTION	REF NO.	PART NO.	QTY USED	PART DESCRIPTION
	541-0190	1	Kit, Rear Pull Choke	7	815-0359	1	Screw, Hex Washer Head Thread Forming (#10-32 x 7/8")
1	526-0140	1	Washer, Flat (#10)	8	153-0514	1	Clamp, Choke Cable
2	153-0523	1	Lever, Choke	9	153-0500	1	Link, Choke
3	516-0059	1	Pin, Cotter	10	153-0524	1	Bracket, Choke Cable
4	152-0155	1	Swivel, Choke Lever	11	821-0004	1	Screw, Hex Washer Head Ca (#10-32 x 5/16")
5	815-0693	1	Screw, Hex Head Machine (#8-32 x 3/8")				
6	815-0820	1	Screw, Shoulder (#10-32 x 3/8")				



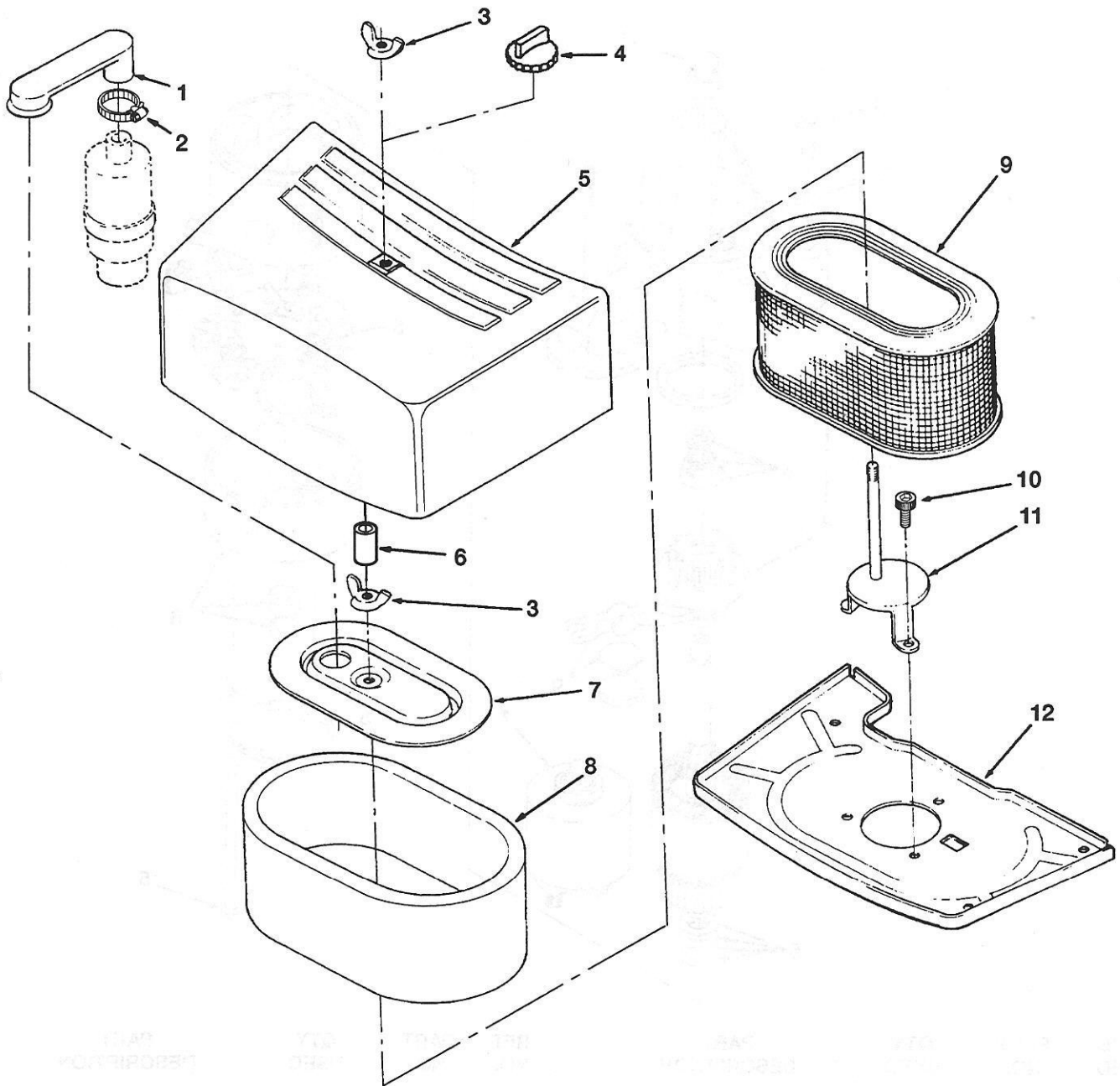


REF NO.	PART NO.	QTY USED	PART DESCRIPTION	REF NO.	PART NO.	QTY USED	PART DESCRIPTION
1	503-0707	1	Hose, Fuel (1/4" ID x 7-3/8")	3	149-2206-01	1	Filter, Fuel
2	503-0731	3	Clamp	4	503-1199	1	Hose, Fuel (1/4" ID x 18")
							Filter, Fuel
							Fuel Pump to Filter

**Fuel Line  
(Code 15BZ)**



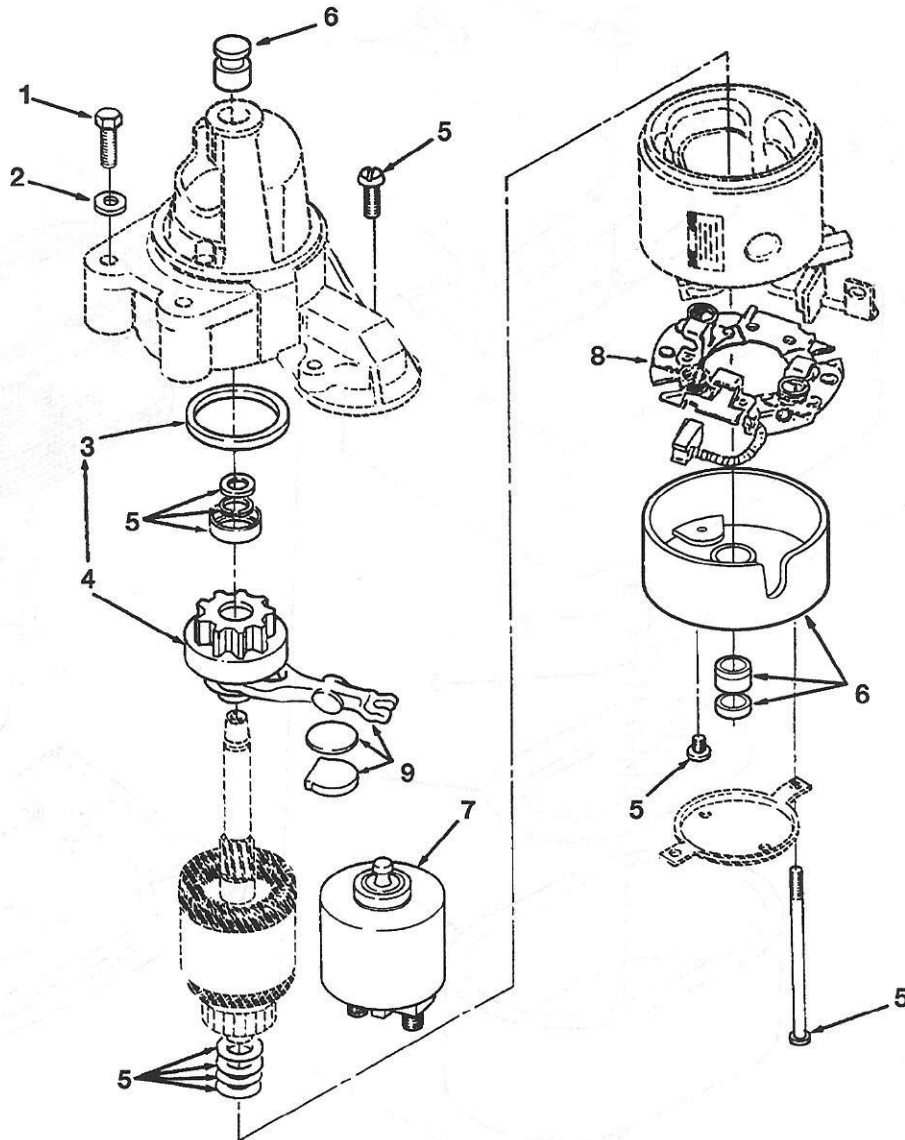
REF NO.	PART NO.	QTY USED	PART DESCRIPTION	REF NO.	PART NO.	QTY USED	PART DESCRIPTION
1	149-2206-01	1	Filter, Fuel	3	503-0731	4	Clamp
2	503-1199	1	Hose, Fuel (1/4" ID x 21") Fuel Pump to Carburetor)	4	503-0707	1	Hose, Fuel (1/4" ID x 5-1/8") Filter to Fuel Pump



REF NO.	PART NO.	QTY USED	PART DESCRIPTION
1	123-1824	1	Tube, Breather
2	503-0769	1	Clamp
3	865-0020	2	Nut, Wing (1/4-20) P216V, P218V, P220V
	865-0020	1	P248V
4	140-2761	1	Knob, Air Cleaner Cover (1/4-20)
5	140-2197-50	1	Hood
6	301-0458	1	Spacer

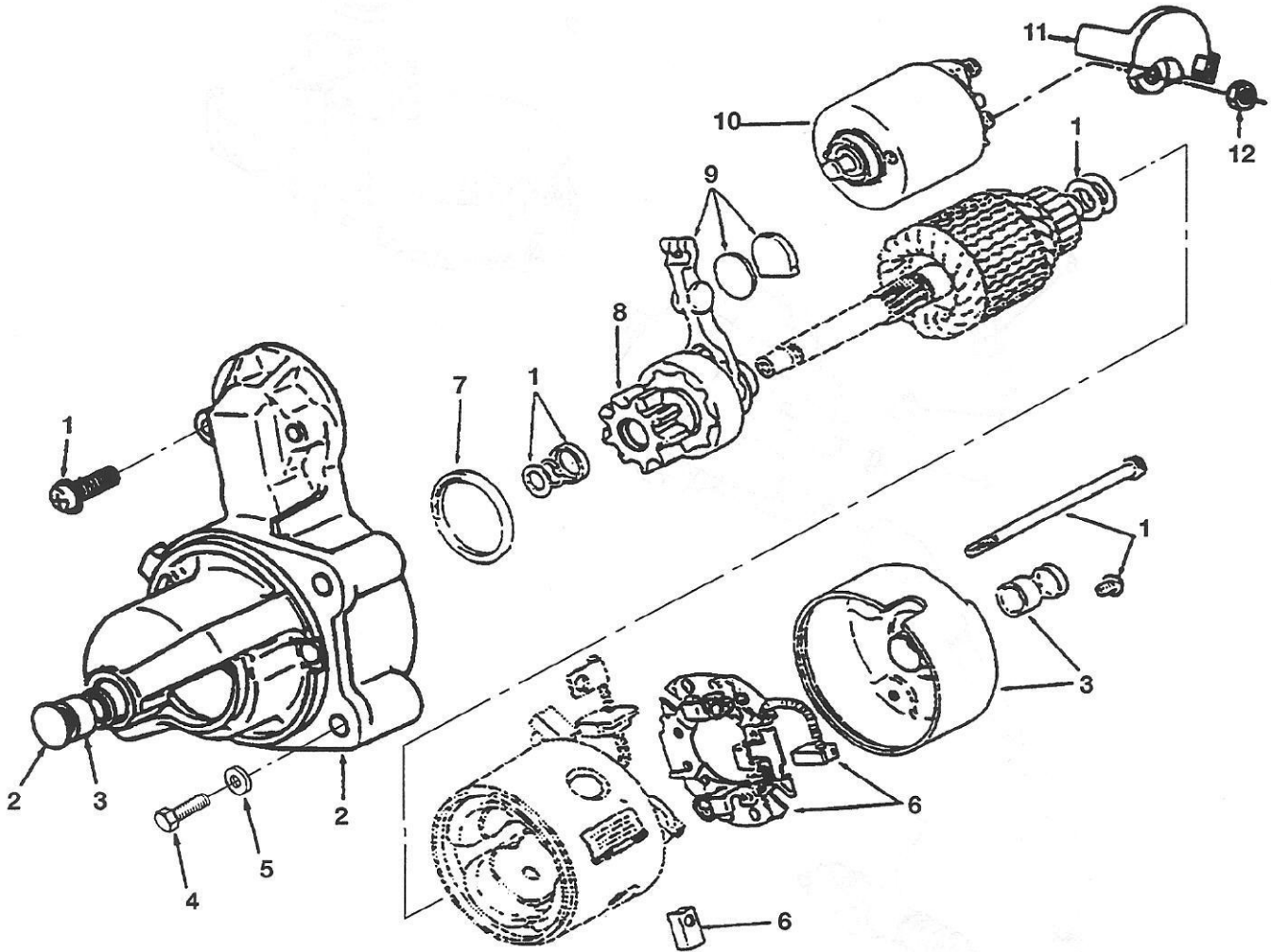
REF NO.	PART NO.	QTY USED	PART DESCRIPTION
7	140-2195-01	1	Cover, Element
8	140-2255	1	Wrapper, Element
9	140-3009	1	Element
10	804-0017	3	Screw, Socket Head Cap (#10-32 x 1/2")
11	140-2423-01	1	Support, Hood Spec A-F
	140-2946-02	1	Begin Spec G
12	140-2419-50	1	Pan, Air Cleaner

## Starter Components (191-1808-06)



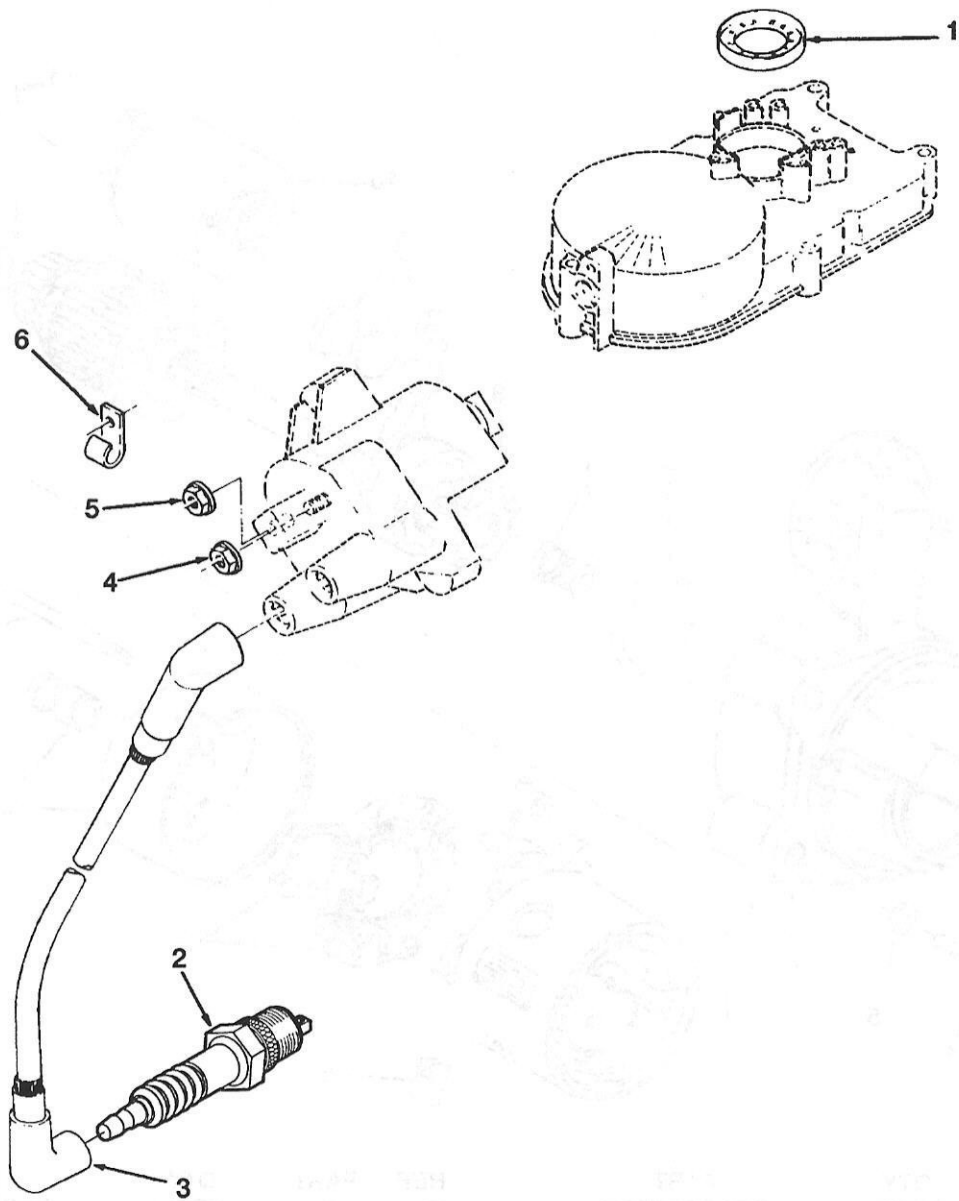
REF NO.	PART NO.	QTY USED	PART DESCRIPTION	REF NO.	PART NO.	QTY USED	PART DESCRIPTION
	191-1808-06	1	Starter	6	191-1931	1	Kit, Starter Bushing (Includes Rear Cap with Bushing and Front Bushing)
1	800-0595	2	Screw, Hex Head Cap (5/16-18 x 3-1/2")	7	191-1956	1	Kit, Solenoid (Includes Solenoid Spring and Plunger)
2	526-0122	2	Washer, Flat (5/16")	8	191-1951	1	Kit, Brush Holder Assy (Includes Negative Brush and Springs)
3	191-1955	1	Seal, Dust	9	191-1766	1	Kit, Shift Lever (Includes Shift Lever, Wear Plate and Rubber Plug)
4	191-1953	1	Kit, Clutch (Includes Pinion Gear, Clutch and Dust Seal)				
5	191-1954	1	Kit, Hardware (Includes Solenoid Screws, Brush Holder Screws, Starter Through Bolts, Armature Shims, Pinion Stop Collar and Retaining Ring)				

## Starter Components (191-1949-06)



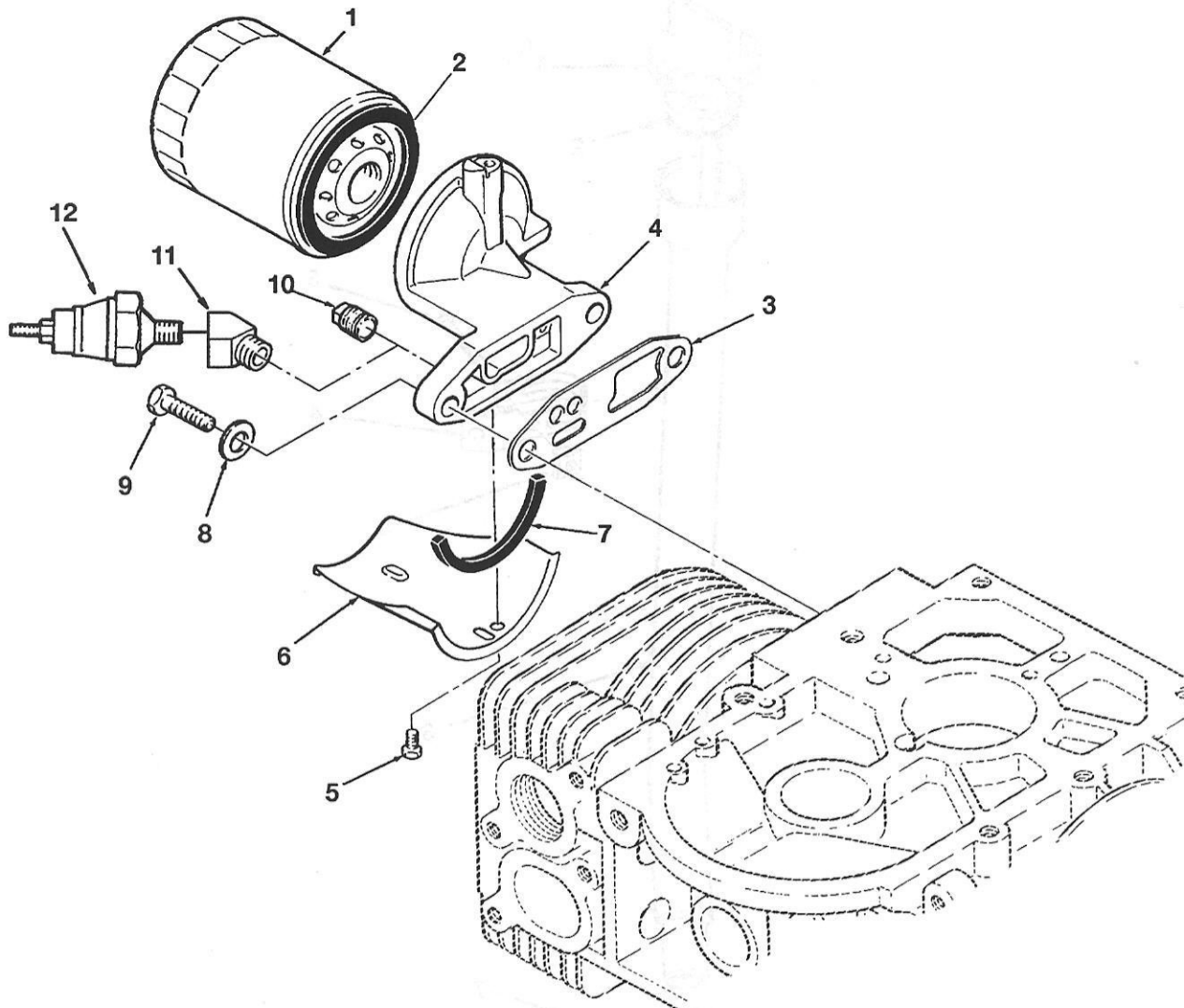
REF NO.	PART NO.	QTY USED	PART DESCRIPTION	REF NO.	PART NO.	QTY USED	PART DESCRIPTION
	191-1949-06	1	Starter	5	526-0122	2	Washer, Flat (5/16")
1	191-1954	1	Kit, Hardware (Includes Two Solenoid Mounting Screws, Two Through Bolts, Armature Shims, Pinion Stop Collar, Retaining Ring & Solenoid Terminal Nuts)	6	191-1951	1	Kit, Brush (Includes Two Negative and Two Positive Brushes and Brush Holder)
2	191-1950	1	Bracket Kit, Mounting (Includes Front Bracket, Front Bushing Dust Seal, Thrust Washer, Cap Plug & OD Pinion Seal)	7	191-1955	1	Kit, Dust Seal (Includes ID & OD Pinion Seals)
3	191-1931	1	Kit, Bushing (Includes Rear Cap with Bushing and Front Bushing)	8	191-1953	1	Kit, Drive (Includes Pinion Gear and Drive Assy)
4	800-0595	2	Screw, Hex Head Cap (5/16-18 x 3-1/2")	9	191-1766	1	Kit, Shift Lever (Includes Shift Lever, Wear Plate Rubber Plug and Grease)
				10	191-1956	1	Kit, Solenoid (Includes Solenoid and Spring Plunger)
				11	191-1947	1	Cap, Solenoid
				12	750-1006	1	Nut, Hex (M8)

## Electronic Ignition



REF NO.	PART NO.	QTY USED	PART DESCRIPTION
1	166-0767	1	Rotor
2	167-0272	2	Plug, Spark
3	167-1615-01	1	Cable, Spark Plug 9" Long
	167-1615-04	1	19.25" Long

REF NO.	PART NO.	QTY USED	PART DESCRIPTION
4	166-0771	1	Nut, Hex Flange (M5) Neg; Terminal
5	166-0770	1	Nut, Hex Flange (M4) Posi Terminal
6	518-0515	1	Clip, Wire



REF NO.	PART NO.	QTY USED	PART DESCRIPTION	REF NO.	PART NO.	QTY USED	PART DESCRIPTION
1	122-0800	1	Filter, Oil 4-1/4" Long	12			Switch, Low Oil Pressure Spec A-D
	122-0645	1	3-1/2" Long				Code 35AU (1 Terminal, Normally Closed)
2	122-0829	1	Gasket, Oil Filter	309-0546	1		All Specs Except 11324 and 11328
3	122-0771	1	Gasket, Adapter	309-0615	1		Specs 11324 and 11328
4	122-0814	1	Adapter, Oil Filter (Includes Screw)	309-0641-17	1		Code 35AH (1 Terminal, Normally Open)
5	815-0340	1	Screw, Cap - Hex Head Thread Forming with ET (#10-32 x 3/8")	309-0583	1		Code 35BV (2 Terminal, 1 Normally Open, 1 Normally Closed)
6	122-0706-50	1	Drain, Oil	309-0615	1		Begin Spec E
7	122-0707	1	Seal, Oil Drain	309-0646-02	1		Code 35AU (1 Terminal, Normally Closed)
8	526-0065	2	Washer, Flat (5/16")				Code 35AV (2 Terminal, Normally Open)
9	800-0028-01	2	Screw, Hex Head Cap (5/16-18 x 1")				
10	505-0057	1	Plug, Pipe (Code 35AU)				
11	502-0053	1	Elbow, 45° Street (Spec A-D Only) Code 35AH, 35AV				